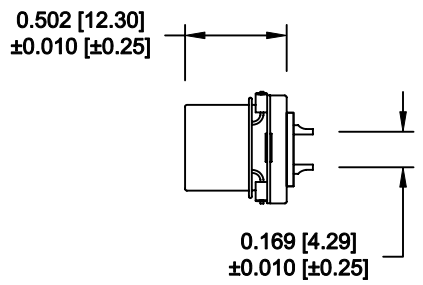
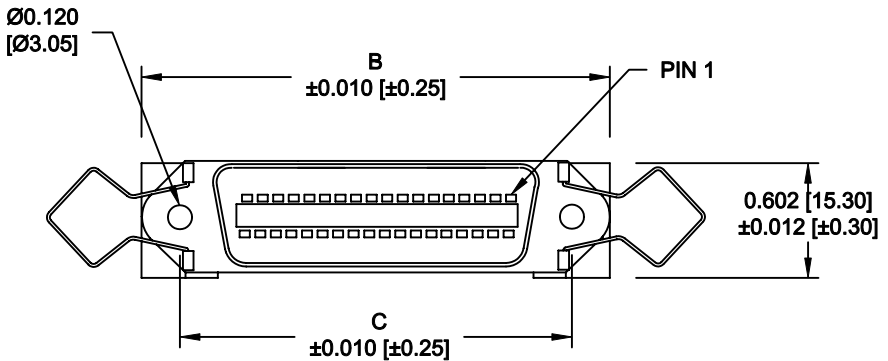
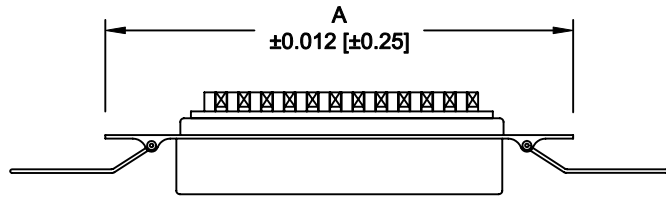


DESCRIPTION: 0.085 RIBBON - SOLDER CUP

	014	024	036	050
A	1.728	2.154	2.667	3.264
	43.90	54.70	67.75	82.90
B	0.992	1.417	1.925	2.624
	25.20	36.00	48.90	64.10
C	1.417	1.843	2.352	2.947
	36.00	46.80	59.74	74.85



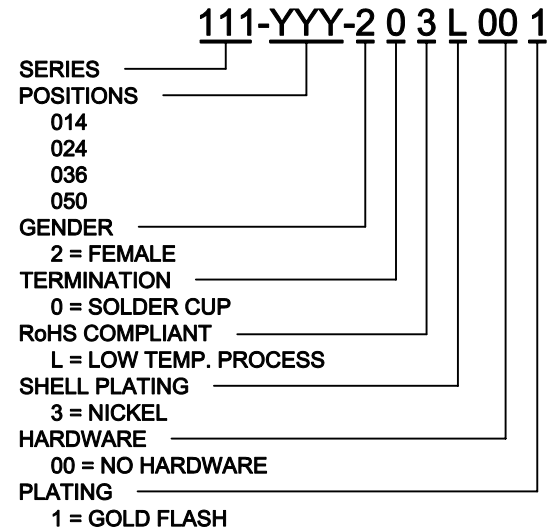
**MATERIAL:**

INSULATION: PBT - UL 94V-0 RATED  
 CONTACTS: PHOSPHOR BRONZE  
 SHELL: STEEL, NICKEL PLATED

**ELECTRICAL:**

CURRENT RATING: 1 AMPS  
 VOLTAGE RATING: 1,000V AC r.m.s.  
 INSULATION RESISTANCE: 1,000MegOhms Min. @ 500VDC  
 CONTACT RESISTANCE: 30MilliOhms Max.  
 OPERATING TEMPERATURE: -55°C TO +125°C

WILL ACCEPT 26-20 AWG WIRE



DO NOT SCALE FROM DRAWING

	THESE DRAWINGS AND SPECIFICATIONS ARE THE PROPERTY OF NorComp AND SHALL NOT BE REPRODUCED, COPIED OR USED AS THE BASIS FOR THE MANUFACTURE OF SALE OF APPARATUS WITHOUT WRITTEN PERMISSION.		DRAWN: <b>WAYNE ROBBINS</b>	DATE: <b>09-15-05</b>
			CHECKED:	DATE:
<b>NorComp</b>		SCALE: <b>NONE</b>	SHEET <b>1</b>	OF <b>1</b>
		DWG NO. <b>111-YYY-203L001</b>		

RoHS COMPLIANT